

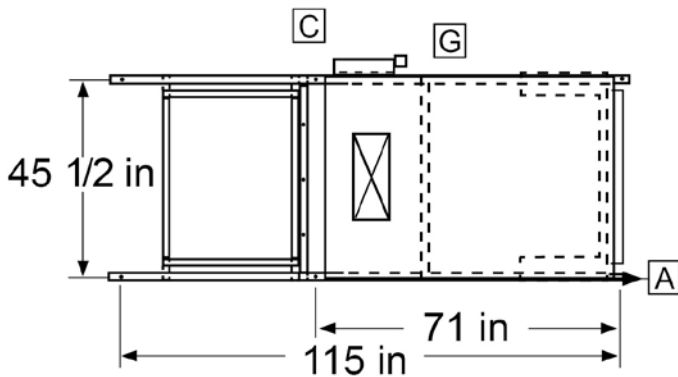


4790 West 73rd Street | Indianapolis, Indiana 46268
 Phone: 317-290-8500 | Fax: 317-290-1900
 aes2@sbcglobal.net | www.aesrack.com

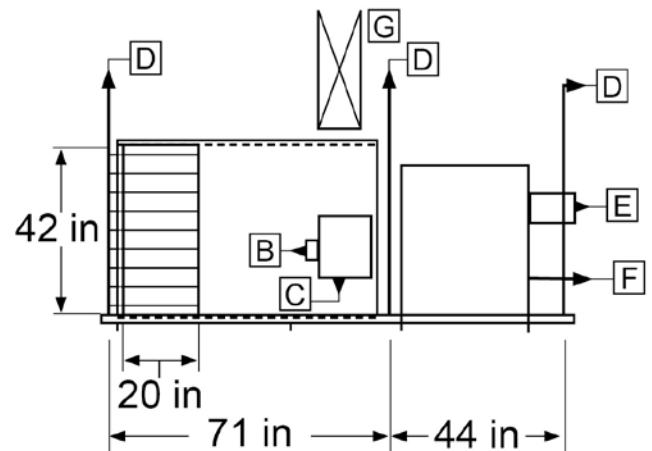
| | |
|-------------|-----------|
| PROJECT: | LOCATION: |
| ARCHITECT: | ENGINEER: |
| CONTRACTOR: | DATE: |

93% EFFICIENT THE FIRST TRUE "GREEN HEATING SYSTEM"

Top View



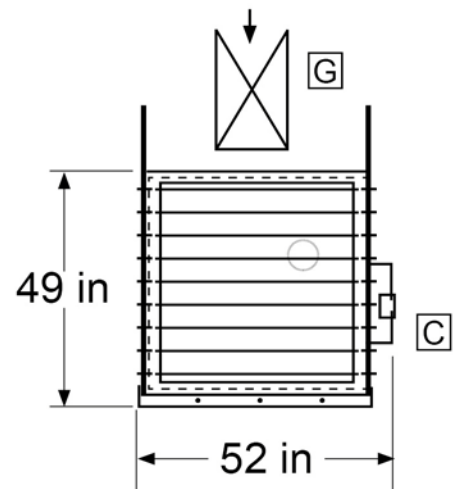
Side View



- A) (6) 1/2" MOUNTING HOLES ON CENTER
- B) SERVICE SWITCH ELECTRICAL CONNECTION POINT
- C) 14" x 16" CONTROL PANEL
- D) 3/8" ALL-THREAD HANGING ROD
- E) 4" FLUE VENT PIPE
- F) 3/4" INLET GAS CONNECTION
- G) SUPPLY DUCT

- NOTE – UNIT HEATER FLUE AND GAS CONNECTION WILL VARY WITH UNIT HEATER SIZE AND MFG (See attached submittal)
- 850 lbs
- HORIZONTAL OR VERTICAL CONCENTRIC VENT KITS
 - 6" INLET COMBUSTION AIR
 - 4" FLUE VENT
 - 1/2" CONDENSATE DRAIN ON BACK OF HEATER

Front View



| QTY | UNIT MODEL | 1/ FAN | HP | AMPS | CFM | SONES | TRANS | VOLTS | F/DISC |
|-----|------------|---------|-------|------|--------|-------|-------|-------|--------|
| 1 | ER-142-310 | 115 / 1 | 3 / 4 | 14 | 16,500 | 12.6 | 5 KVA | 460/1 | YES |

| QTY | U/MODEL | VOLTS | AMPS | BTU/INPUT | BTU/OUTPUT | FLUE | GAS/CON | G/PRE |
|-----|---------|---------|------|-----------|------------|------|---------|-------|
| 1 | PTC 310 | 115 / 1 | 8 | 310,000 | 288,000 | 4" | 3/4" | 6" |