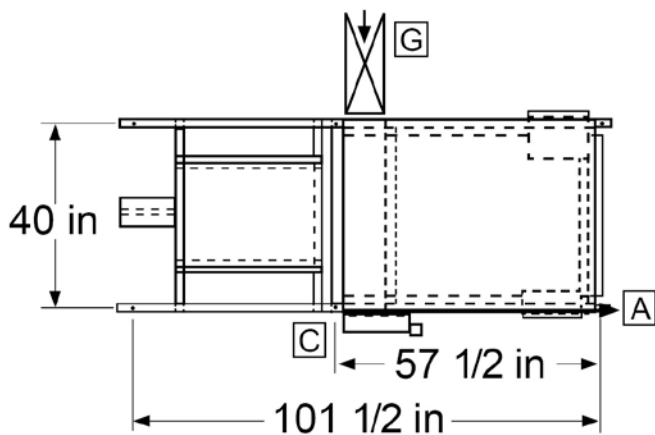




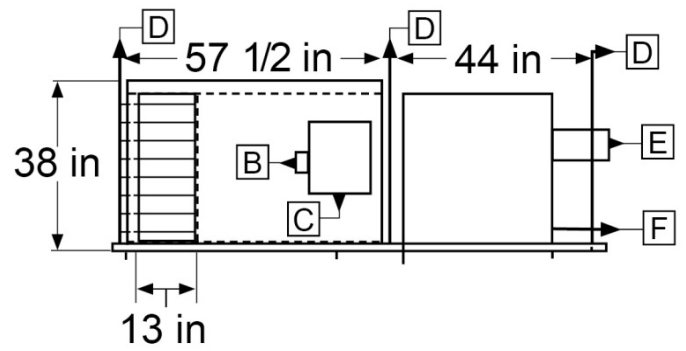
4790 West 73rd Street | Indianapolis, Indiana 46268
 Phone: 317-290-8500 | Fax: 317-290-1900
 aes2@sbcglobal.net | www.aesrack.com

PROJECT:	LOCATION:
ARCHITECT:	ENGINEER:
CONTRACTOR:	DATE:

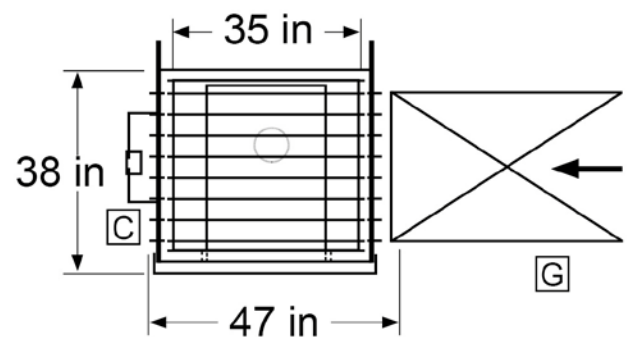
Top View



Side View



Front View



- A) (6) 1/2" MOUNTING HOLES ON CENTER
 - B) SERVICE SWITCH ELECTRICAL CONNECTION POINT
 - C) 14" x 16" CONTROL PANEL
 - D) 3/8" ALL-THREAD HANGING ROD
 - E) 5" FLUE VENT PIPE
 - F) 3/4" INLET GAS CONNECTION
 - G) SUPPLY DUCT
- NOTE – UNIT HEATER FLUE AND GAS CONNECTION WILL VARY WITH UNIT HEATER SIZE AND MFG (See attached submittal)
 - 650 lbs

QTY	UNIT MODEL	1 / FAN	HP	AMPS	CFM	SONES	TRANS	VOLTS	F/DISC
1	ER-130-200	115 / 1	1 / 2	12	9,000	12.7			

QTY	U/MODEL	VOLTS	AMPS	BTU/INPUT	BTU/OUTPUT	FLUE	GAS/CON	G/PRE
1	LF 200	115 / 1	4	200,000	156,000	5"	3/4"	6"