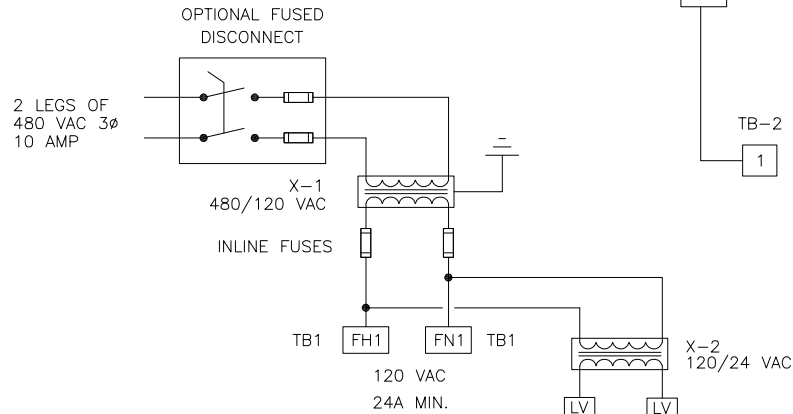


PLAN NOTES:

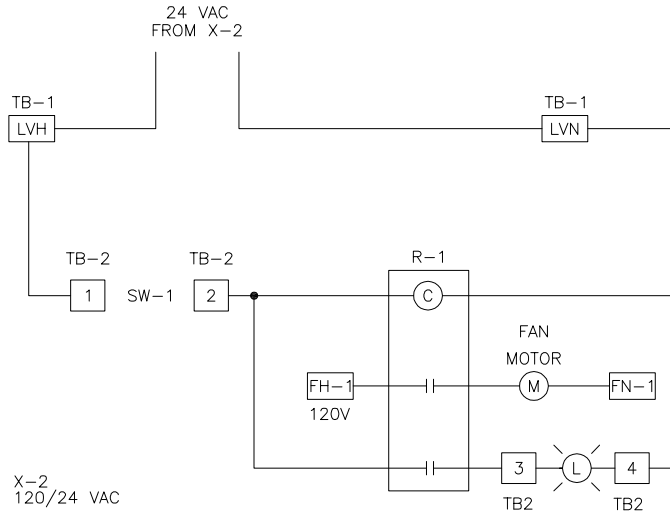
TB-1 IS AT THE UNIT.

TB-2 IS IN CP-1 TO BE MOUNTED IN THE SPACE.

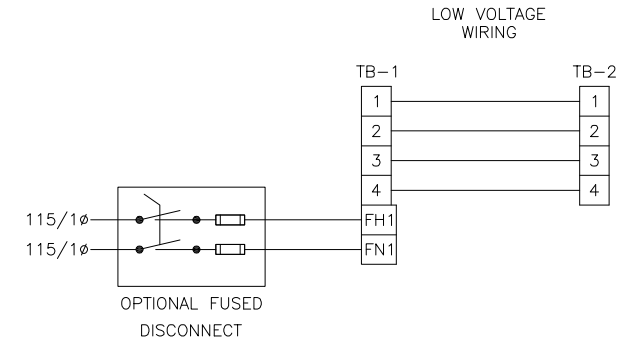
— DASHED LINES REPRESENT WIRING EXTERNAL TO THE PANEL.



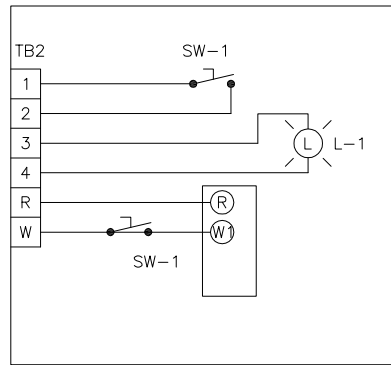
TRANSFORMER WIRING
TYPICAL OF ONE(1) SYSTEM



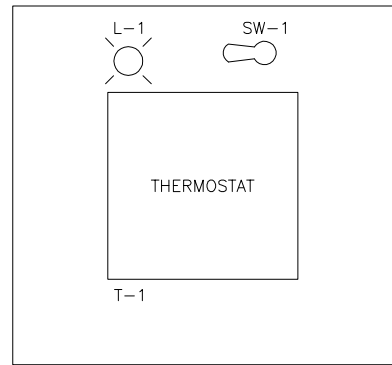
CIRCULATING FAN
TYPICAL OF ONE(1) SYSTEM



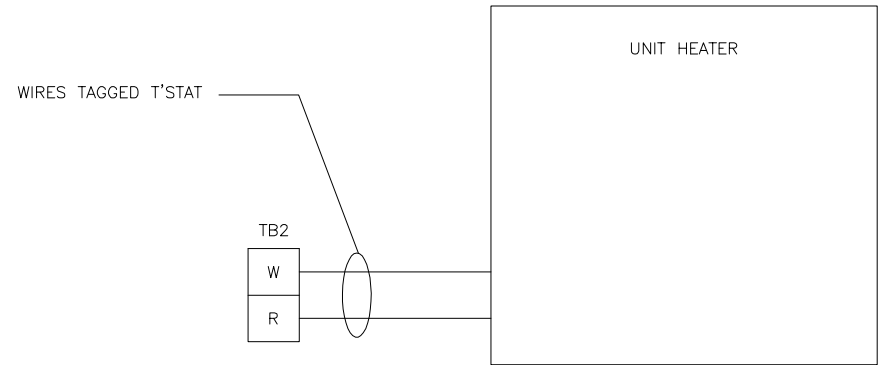
WIRING BETWEEN CONTROL PANELS
TYPICAL OF ONE(1) SYSTEM



CP-1



PANEL FACE



UNIT HEATER
TYPICAL OF ONE(1) SYSTEM

CONTROL PANEL CP-1
TYPICAL OF ONE(1) SYSTEM

AIR ENERGY - 480V SINGLE UNIT WIRING

AIR ENERGY SYSTEMS
www.aesrack.com