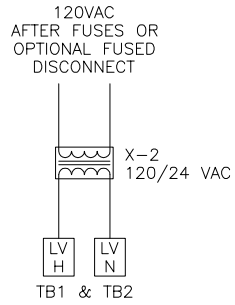


PLAN NOTES:

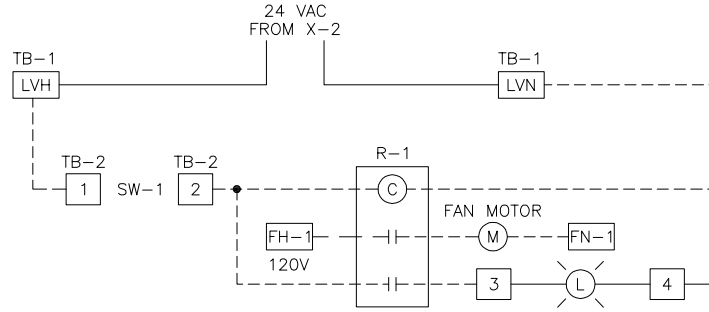
TB-1 IS AT THE UNIT.

TB-2 IS IN CP-1 TO BE MOUNTED IN THE SPACE.

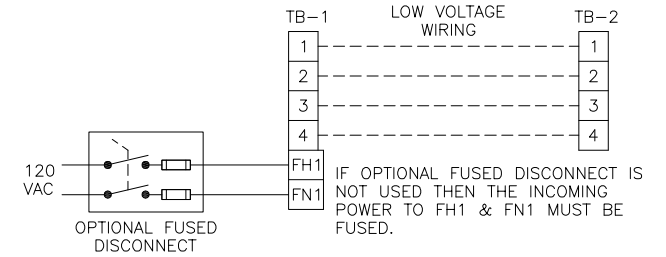
----- DASHED LINES REPRESENT WIRING EXTERNAL TO THE PANEL.



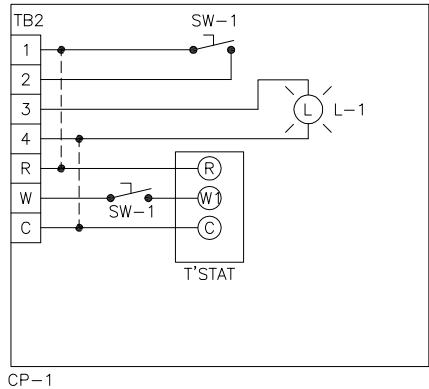
TRANSFORMER WIRING  
TYPICAL OF ONE(1) SYSTEM



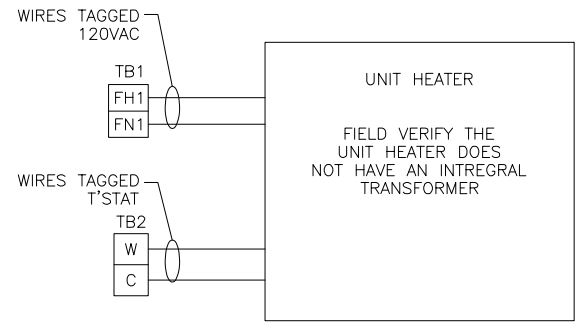
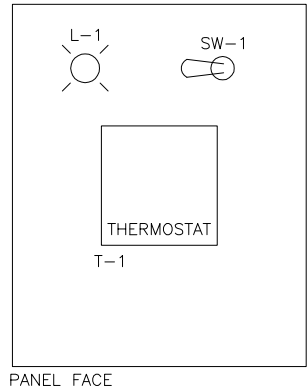
CIRCULATING FAN  
TYPICAL OF ONE(1) SYSTEM



WIRING BETWEEN CONTROL PANELS  
TYPICAL OF ONE(1) SYSTEM



CONTROL PANEL CP-1  
TYPICAL OF ONE(1) SYSTEM



UNIT HEATER  
TYPICAL OF ONE(1) SYSTEM