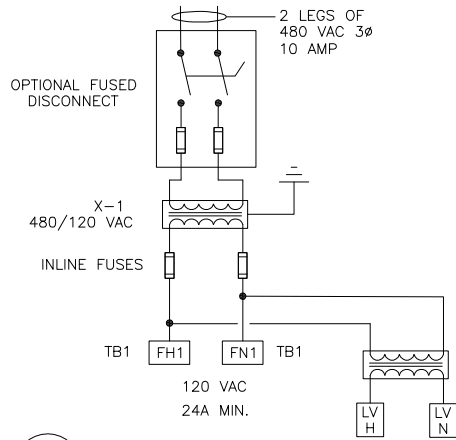
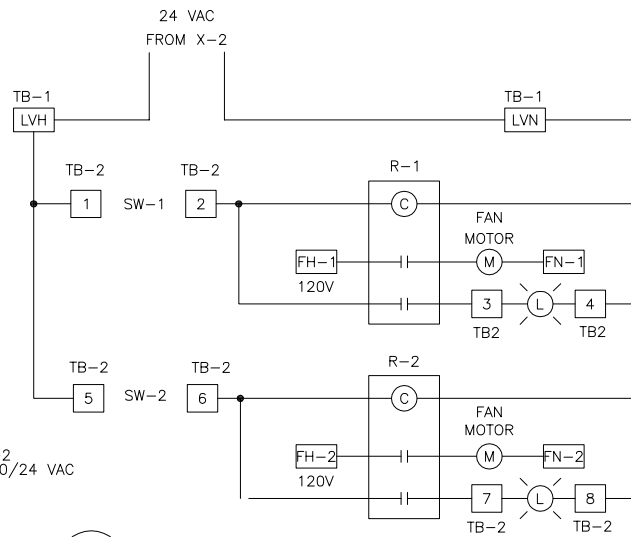


PLAN NOTES:

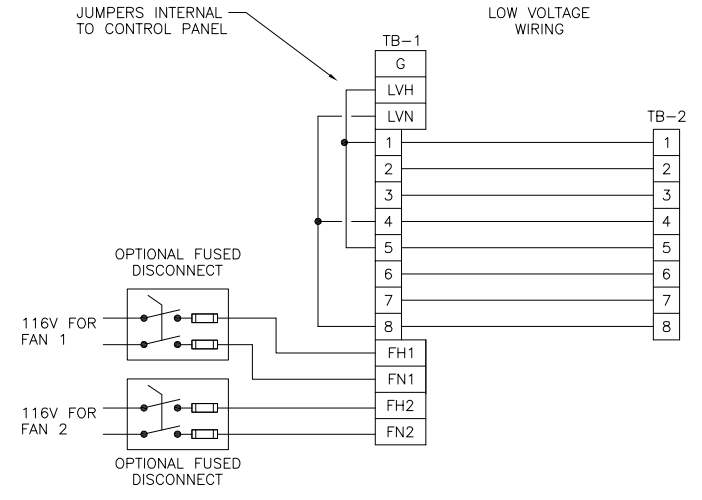
TB-1 IS AT THE UNIT.
 TB-2 IS IN CP-1 TO BE MOUNTED IN THE SPACE.
 DASHED LINES REPRESENT WIRING EXTERNAL TO THE PANEL.



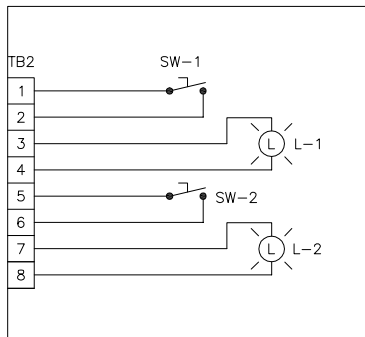
TRANSFORMER WIRING
 TYPICAL OF ONE(1) SYSTEM



CIRCULATING FAN
 TYPICAL OF ONE(1) SYSTEM

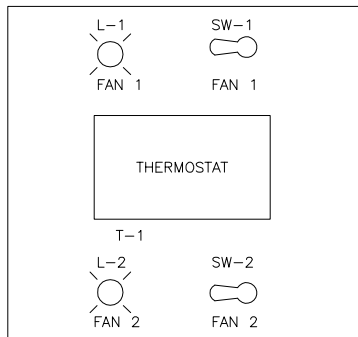


WIRING BETWEEN CONTROL PANELS
 TYPICAL OF ONE(1) SYSTEM

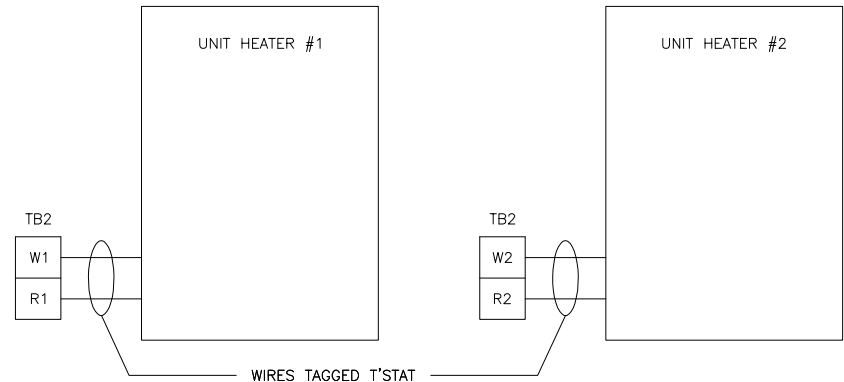


CP-1

CONTROL PANEL CP-1
 TYPICAL OF ONE(1) SYSTEM



PANEL FACE



WIRES TAGGED T'ST

UNIT HEATER
 TYPICAL OF ONE(1) SYSTEM