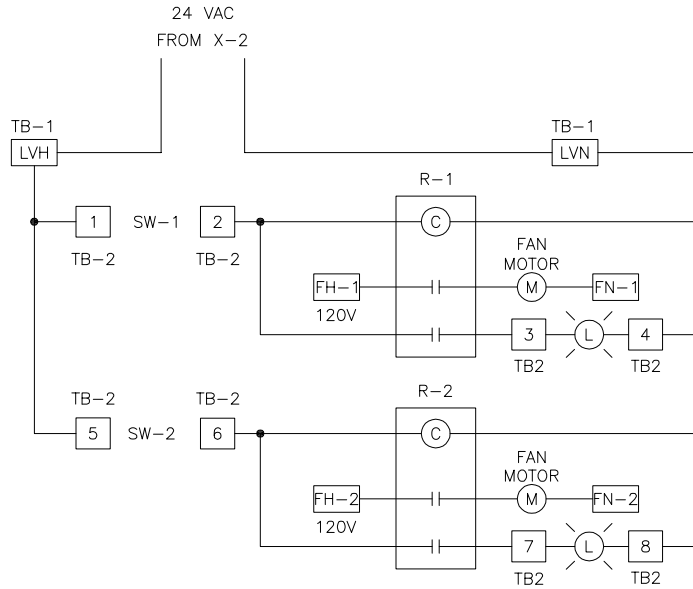
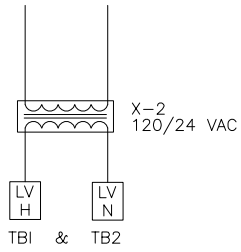


**PLAN NOTES:**

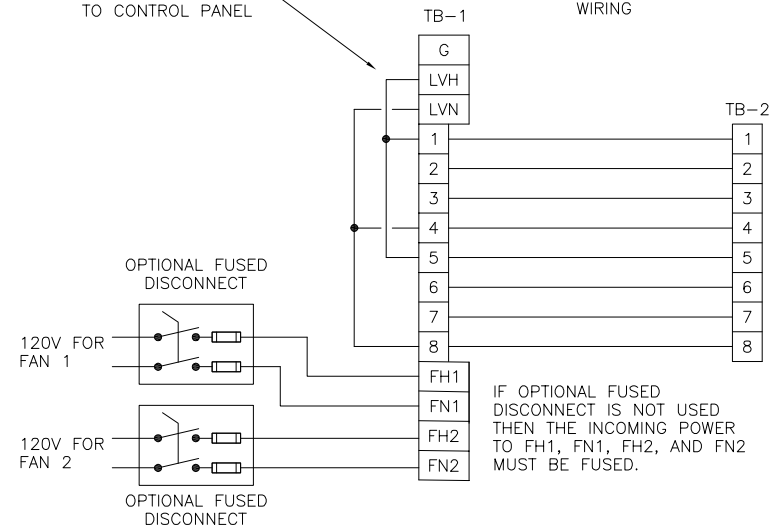
TB-1 IS AT THE UNIT.  
 TB-2 IS IN CP-1 TO BE MOUNTED IN THE SPACE.  
 DASHED LINES REPRESENT WIRING EXTERNAL TO THE PANEL.

120VAC  
 AFTER FUSES OR  
 OPTIONAL FUSED  
 DISCONNECT

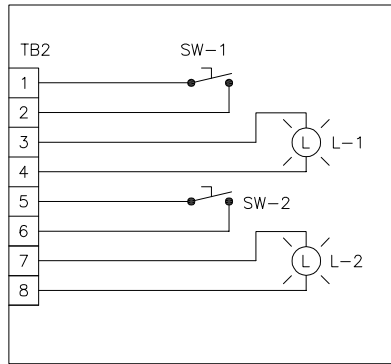
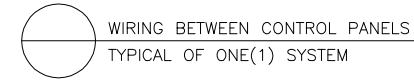
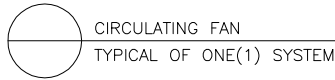


JUMPERS INTERNAL TO CONTROL PANEL

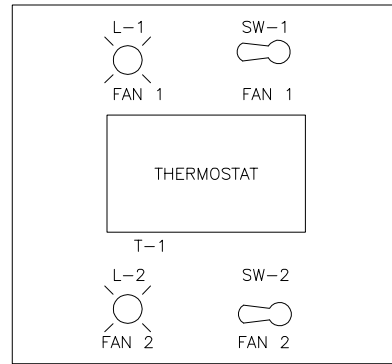
LOW VOLTAGE WIRING



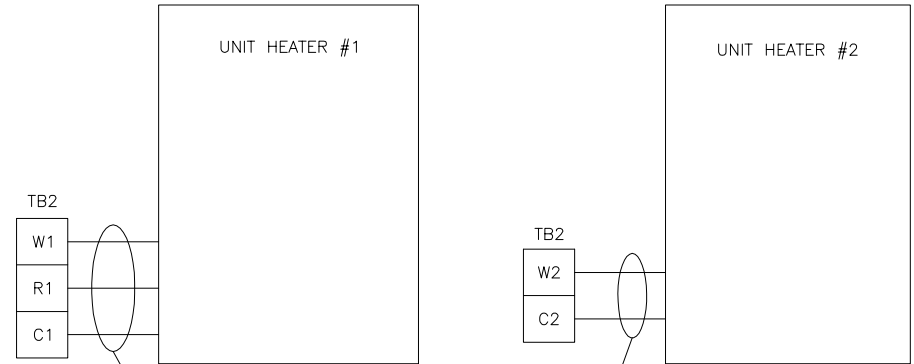
IF OPTIONAL FUSED DISCONNECT IS NOT USED THEN THE INCOMING POWER TO FH1, FN1, FH2, AND FN2 MUST BE FUSED.



CP-1



PANEL FACE



WIRES TAGGED T\'STAT



**AIR ENERGY - DOUBLE UNIT WIRING**

AIR ENERGY SYSTEMS  
 www.aesrack.com