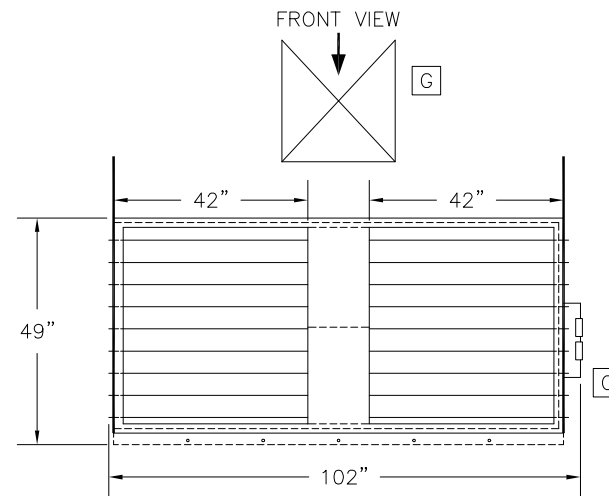


- A) (6) 1/2" MOUNTING HOLES ON CENTER
 - B) SERVICE SWITCH ELECTRICAL CONNECTION POINT
 - C) 14"x16" CONTROL PANEL
 - D) 3/8" ALL-THREAD HANGING ROD
 - E) 6" FLUE VENT PIPE
 - F) 3/4" INLET GAS CONNECTION
 - G) SUPPLY DUCT
- NOTE—UNIT HEATER FLUE AND GAS CONNECTION WILL VARY WITH UNIT HEATER SIZE AND MFG (SEE ATTACHED SUBMITTAL)
 - 1,700 LBS



QTY	UNIT MODEL	2/FAN	HP	AMPS	CFM	SONES	TRANS	VOLTS	F/DISC
1	ER-242-800	115/1	3/4	28	33,000	12.6			

QTY	U/MODEL	VOLTS	AMPS	BTU/INPUT	BTU/OUTPUT	FLUE	GAS/CON	G/PRE
2	LF 400	115/1	5	390,000	312,000	6"	3/4"	6"