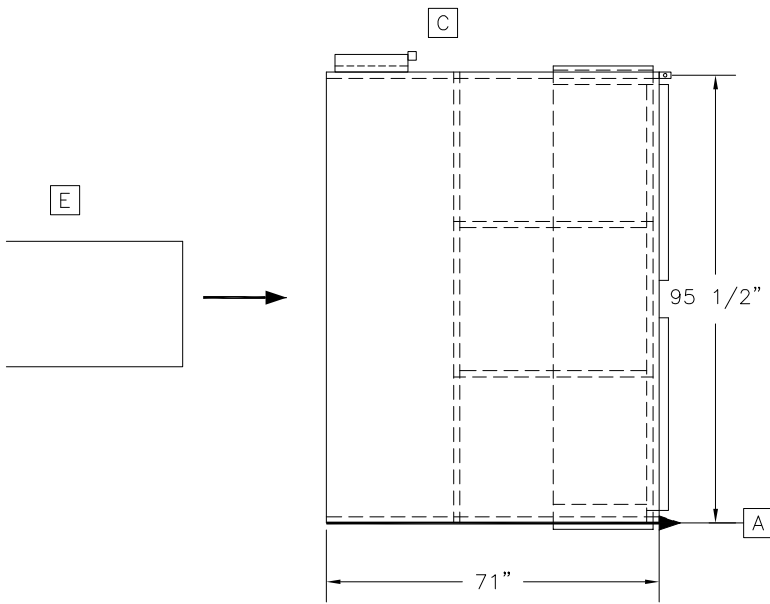
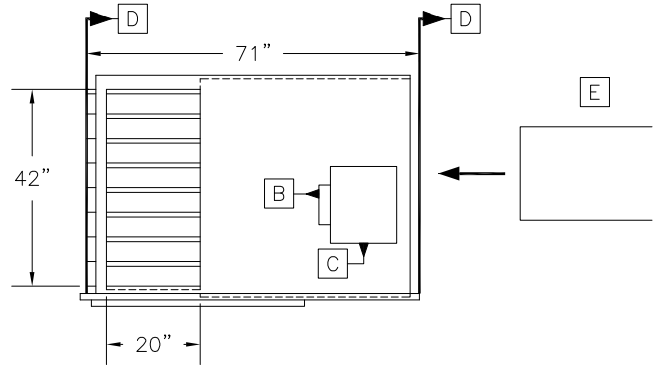


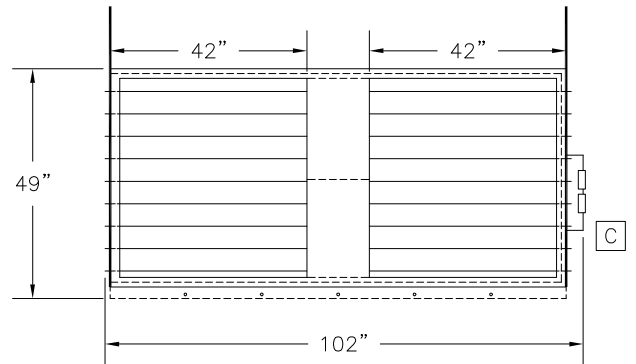
TOP VIEW



SIDE VIEW



FRONT VIEW



- A) (4) 1/2" MOUNTING HOLES ON CENTER
- B) SERVICE SWITCH ELECTRICAL CONNECTION POINT
- C) 14"X16" CONTROL PANEL
- D) 3/8" ALL-THREAD HANGING ROD
- E) SUPPLY DUCT
- 850 LBS

QTY	UNIT MODEL	2/FAN	HP	AMPS	CFM	SONES	TRANS	VOLTS	F/DISC
1	ER-242	115/1	3/4	28	33,000				

QTY	U/MODEL	VOLTS	AMPS	BTU/INPUT	BTU/OUTPUT	FLUE	GAS/CON	G/PRE