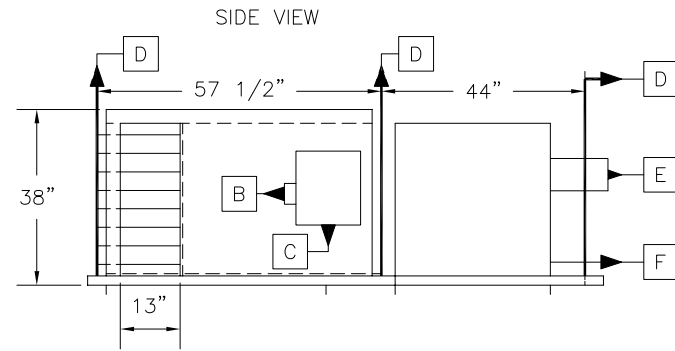
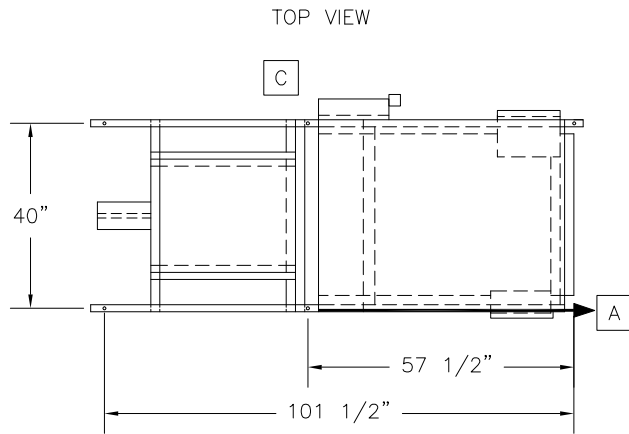
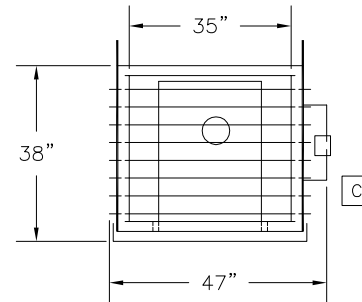


93% EFFICIENT
THE FIRST TRUE "GREEN HEATING SYSTEM"



- A) (6) 1/2" MOUNTING HOLES ON CENTER
 B) SERVICE SWITCH ELECTRICAL CONNECTION POINT
 C) 14"x16" CONTROL PANEL
 D) 3/8" ALL-THREAD HANGING ROD
 E) FLUE EXHAUST
 F) 3/4" INLET GAS CONNECTION
- NOTE-UNIT HEATER FLUE AND GAS CONNECTION WILL VARY WITH UNIT HEATER SIZE AND MFG (SEE ATTACHED SUBMITTAL)
 - 650 LBS
 - HORIZONTAL OR VERTICAL CONCENTRIC VENT KITS
 - 6" INLET COMBUSTION AIR
 - 4" FLUE VENT
 - 1/2" CONDENSATE DRAIN ON BACK OF HEATER

FRONT VIEW



QTY	UNIT MODEL	1/FAN	HP	AMPS	CFM	SONES	TRANS	VOLTS	F/DISC
1	ER-130-210	115/1	1/2	12	9,000	12.7			

QTY	U/MODEL	VOLTS	AMPS	BTU/INPUT	BTU/OUTPUT	FLUE	GAS/CON	G/PRE
1	PTC 210	115/1	8	210,000	195,300	4"	3/4"	6"