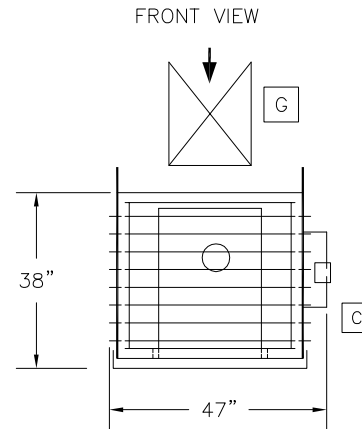
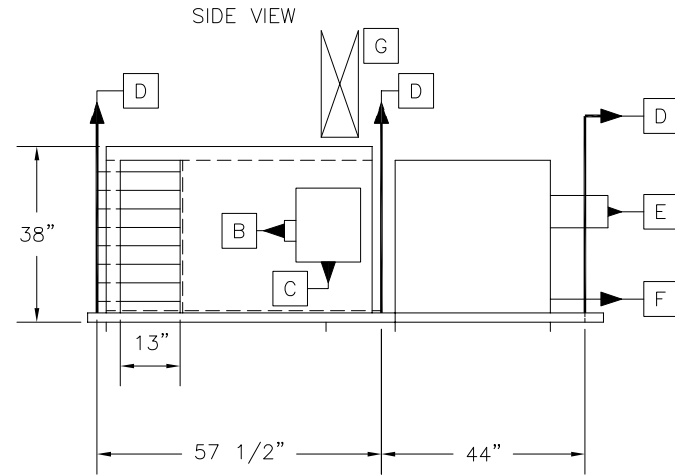
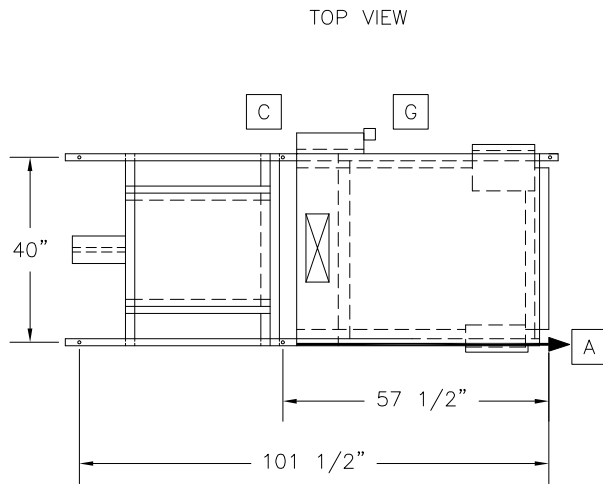


93% EFFICIENT  
THE FIRST TRUE "GREEN HEATING SYSTEM"



- A) (6) 1/2" MOUNTING HOLES ON CENTER
- B) SERVICE SWITCH ELECTRICAL CONNECTION POINT
- C) 14"x16" CONTROL PANEL
- D) 3/8" ALL-THREAD HANGING ROD
- E) FLUE EXHAUST
- F) 3/4" INLET GAS CONNECTION
- G) SUPPLY DUCT
- NOTE-UNIT HEATER FLUE AND GAS CONNECTION WILL VARY WITH UNIT HEATER SIZE AND MFG (SEE ATTACHED SUBMITTAL)
- 650 LBS
- HORIZONTAL OR VERTICAL CONCENTRIC VENT KITS
  - 6" INLET COMBUSTION AIR
  - 4" FLUE VENT
  - 1/2" CONDENSATE DRAIN ON BACK OF HEATER

| QTY | UNIT MODEL | 1/FAN | HP  | AMPS | CFM   | SONES | TRANS | VOLTS | F/DISC |
|-----|------------|-------|-----|------|-------|-------|-------|-------|--------|
| 1   | ER-130-210 | 115/1 | 1/2 | 12   | 9,000 | 12.7  |       |       |        |

| QTY | U/MODEL | VOLTS | AMPS | BTU/INPUT | BTU/OUTPUT | FLUE | GAS/CON | G/PRE |
|-----|---------|-------|------|-----------|------------|------|---------|-------|
| 1   | PTC 210 | 115/1 | 8    | 210,000   | 195,300    | 4"   | 3/4"    | 6"    |