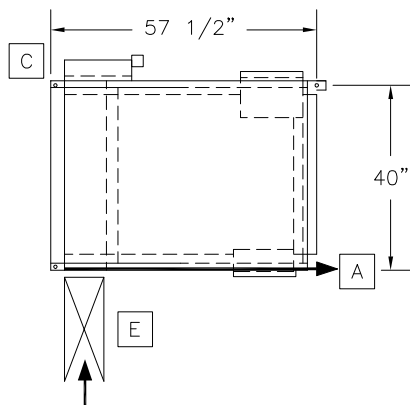
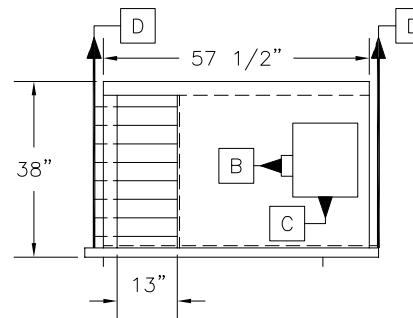


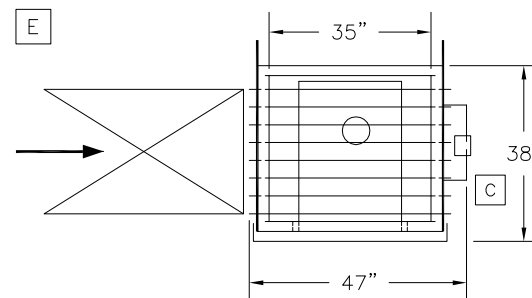
TOP VIEW



SIDE VIEW



FRONT VIEW



- A) (4) 1/2" MOUNTING HOLES ON CENTER
- B) SERVICE SWITCH ELECTRICAL CONNECTION POINT
- C) 14"x16" CONTROL PANEL
- D) 3/8" ALL-THREAD HANGING ROD
- E) SUPPLY DUCT
- 350 LBS

| QTY | UNIT MODEL | 1/FAN | HP  | AMPS | CFM   | SONES | TRANS | VOLTS | F/DISC |
|-----|------------|-------|-----|------|-------|-------|-------|-------|--------|
| 1   | ER-130     | 115/1 | 1/2 | 12   | 9,000 | 12.7  |       |       |        |

| QTY | U/MODEL | VOLTS | AMPS | BTU/INPUT | BTU/OUTPUT | FLUE | GAS/CON | G/PRE |
|-----|---------|-------|------|-----------|------------|------|---------|-------|
| 1   |         |       |      |           |            |      |         |       |